



Installation: Safe Area
Insulation Class: I



REFERENCE STANDARDS

	CEI / EN
EXECUTION	INDUSTRIAL WEATHERPROOF
RULES OF COMPLIANCE	EN 60598-1 + A1; EN 60598-2-1
EC Type-Examination Certificate	-
PROTECTION DEGREE	IP66
AMBIENT TEMPERATURE	-20°C ÷ +60°C

Mechanical characteristics

Body	glass fibre reinforced polyester resin
Diffuser	U/V resistant polycarbonate - hinged to body
Safety closing	stainless steel hooks
Gaskets	EPDM 60 rubber suitable for high temperatures and resistant to enviroments conditions
Internal reflector	white stove enamelled sheet steel
Cable entry	complete with 1 PVC cable gland and 1 cap

Electrical characteristics

Power supply	dual channel electronic ballast: - 110÷240Vac - 50/60 Hz (cos ρ ≥ 0,98) - 110÷240Vdc
Emergency unit	emergency unit with autonomy from 120 min. - (inverter) 220÷240V 50/60Hz
Lampholders	bi-pin G13 cap
Terminals	suitable up to 6 sq/mm cables

(*) The lighting fittings must be used appropriately without changing the mechanical and protection features, and must not be installed on surfaces



On Request Accessories:

- Pole mounting kit complete with stainless steel hardware
- Ceiling mounting kit complete with stainless steel hardware
- Pendant mounting kit complete with stainless steel hardware
- Wall/Structure mounting kit complete with stainless steel hardware
- Electronic ballast with voltage supply different than standard
- Emergency Group
- Up to 4 cable entries

Technical data

CODE	LAMP	TEMPERATURE CLASS (GAS)	TEMPERATURE CLASS (DUSTS)	LAMPHOLDER	CABLE ENTRY WITH CABLE GLAND	EMERGENCY UNIT	AUTONOMY	DETAIL
FLUORESCENT LIGHTING FIXTURES FOR SINGLE AND TWIN LAMPS - POWER SUPPLY (110±240Vac - 50/60 Hz) - (110±240Vdc)								
ATLANTIS118EL	1 x 18W	-	-	G13	2 x M20	-	-	A
ATLANTIS136EL	1 x 36W	-	-	G13	2 x M20	-	-	A
ATLANTIS158EL	1 x 58W	-	-	G13	2 x M20	-	-	A
ATLANTIS218EL	2 x 18W	-	-	G13	2 x M20	-	-	A
ATLANTIS236EL	2 x 36W	-	-	G13	2 x M20	-	-	A
ATLANTIS258EL	2 x 58W	-	-	G13	2 x M20	-	-	A

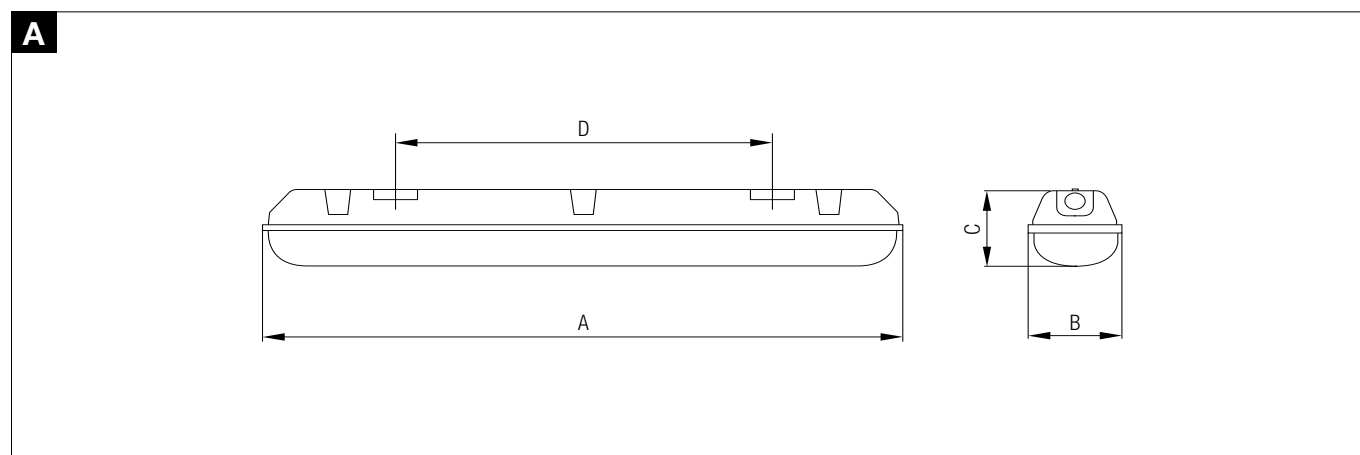
EMERGENCY FLUORESCENT LIGHTING FIXTURES FOR SINGLE AND TWIN LAMPS - POWER SUPPLY 220V / 240V - 50/60Hz								
ATLANTIS-E136EL	1 x 36W	-	-	G13	2 x M20	4,8V - 4Ah	120 min.	A
ATLANTIS-E158EL	1 x 58W	-	-	G13	2 x M20	4,8V - 4Ah	120 min.	A
ATLANTIS-E218EL	2 x 18W	-	-	G13	2 x M20	4,8V - 4Ah	120 min.	A
ATLANTIS-E236EL	2 x 36W	-	-	G13	2 x M20	4,8V - 4Ah	120 min.	A
ATLANTIS-E258EL	2 x 58W	-	-	G13	2 x M20	4,8V - 4Ah	120 min.	A

Technical features

CODE	A [mm]	B [mm]	C [mm]	D [mm]	WEIGHT [Kg]	CABLE ENTRY	DETAIL
ATLANTIS118EL	665	97	99	390	1,42	2 x M20	A
ATLANTIS136EL	1282	97	99	800	2,15	2 x M20	A
ATLANTIS158EL	1578	97	99	1100	2,94	2 x M20	A
ATLANTIS218EL	665	140	99	390	2,52	2 x M20	A
ATLANTIS236EL	1282	140	99	800	2,72	2 x M20	A
ATLANTIS258EL	1578	140	99	1100	3,93	2 x M20	A

CODE	A [mm]	B [mm]	C [mm]	D [mm]	WEIGHT [Kg]	CABLE ENTRY	DETAIL
ATLANTIS-E136EL	1282	97	99	800	3,40	2 x M20	A
ATLANTIS-E158EL	1578	97	99	1100	4,64	2 x M20	A
ATLANTIS-E218EL	665	140	99	390	3,77	2 x M20	A
ATLANTIS-E236EL	1282	140	99	800	3,97	2 x M20	A
ATLANTIS-E258EL	1578	140	99	1100	6,18	2 x M20	A

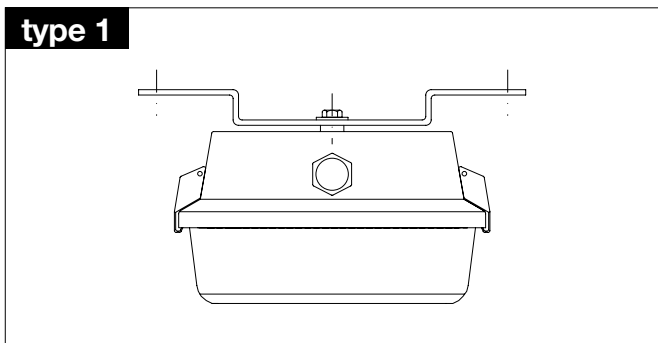
Reference details





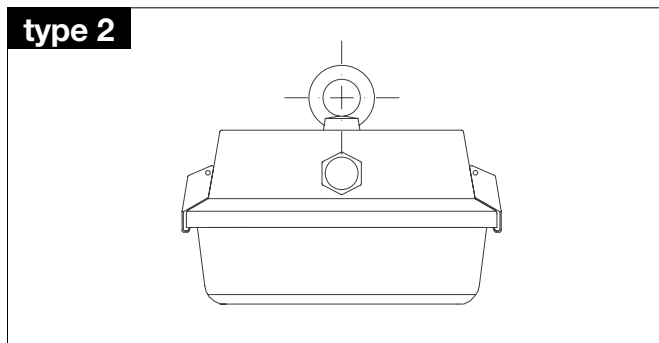
Ceiling mounting

type 1



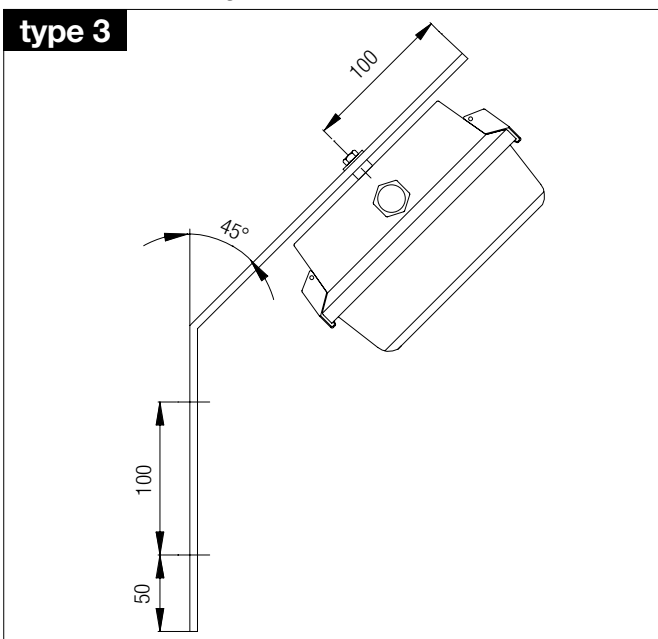
Pendant mounting

type 2



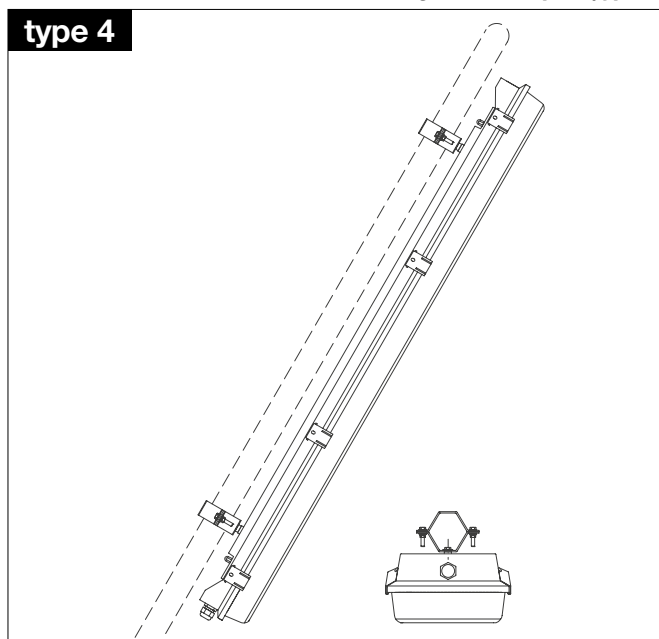
Wall/structure mounting

type 3



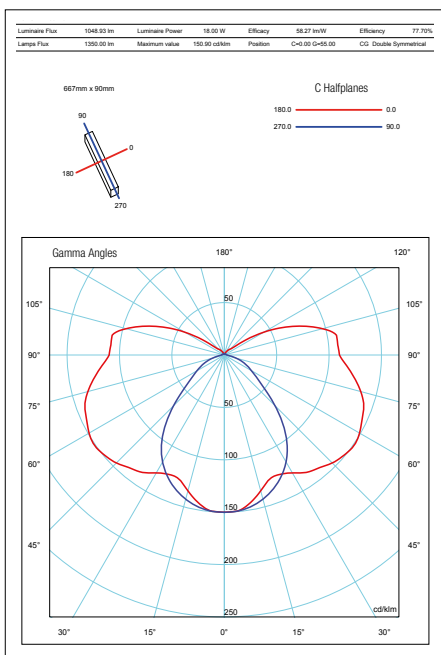
Pole mounting
Assemblg detail with pole (typical)

type 4

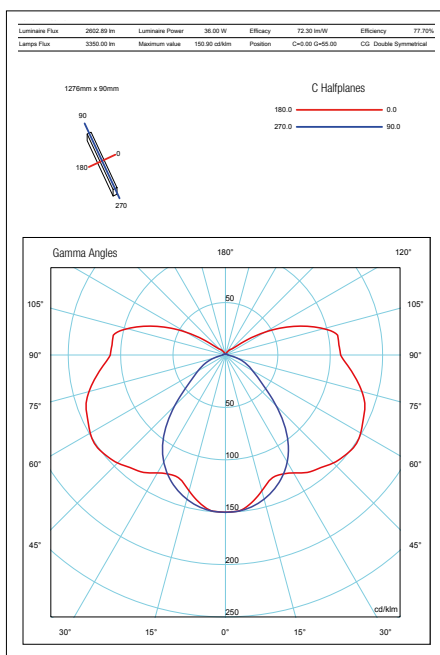


ATLANTIS Polar diagrams – photometric data

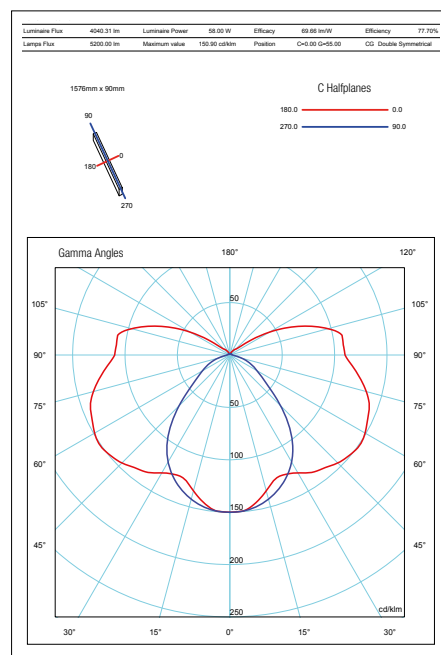
ATLANTIS118EL



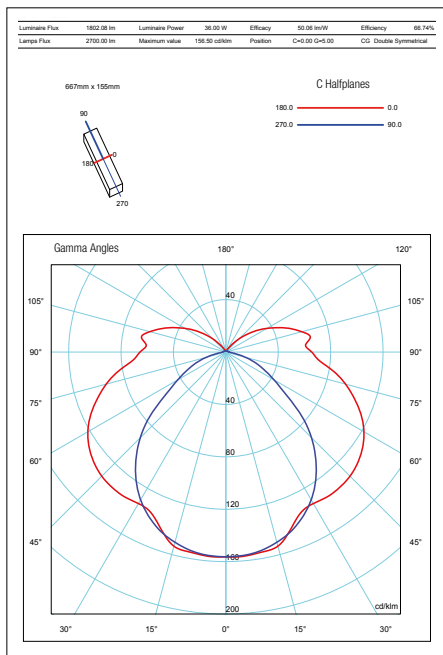
ATLANTIS136EL



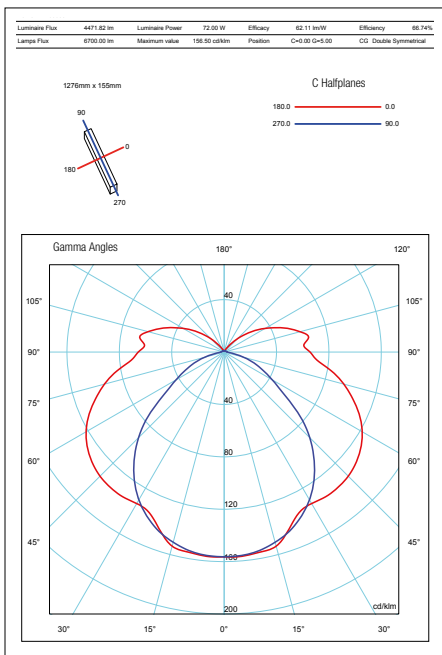
ATLANTIS158EL



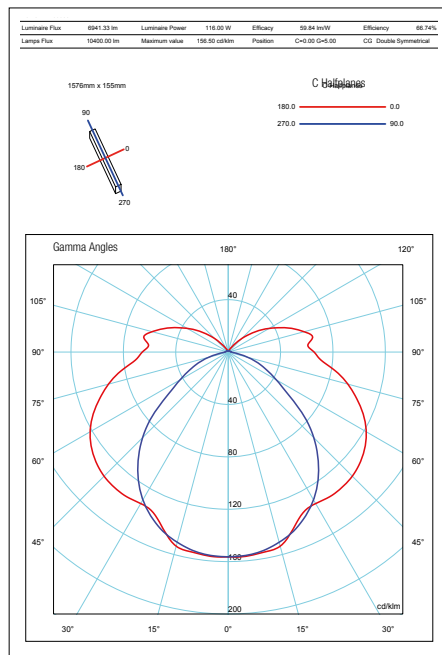
ATLANTIS218EL



ATLANTIS236EL



ATLANTIS258EL



On request accessories

CODE	DESCRIPTION	INSTALLATION	MATERIAL
KITFL#57000	CEILING MOUNTING KIT C/W HARDWARE	TYPE 1	STAINLESS STEEL
KITAVFTYPE1	PENDANT MOUNTING KIT C/W HARDWARE AND EYE-BOLTS	TYPE 2	STAINLESS STEEL
KITAVFTYPE4	WALL/STRUCTURE MOUNTING KIT C/W HARDWARE	TYPE 3	GALVANIZED STEEL
KITAVFTYPE5	POLE MOUNTING KIT (SIZE 1 1/2" DIA.) C/W HARDWARE	TYPE 4	STAINLESS STEEL
KITAVFTYPE5	POLE MOUNTING KIT (SIZE 2" DIA.) C/W HARDWARE	TYPE 4	STAINLESS STEEL
KITAVFTYPE5	POLE MOUNTING KIT (SIZE 1" DIA.) C/W HARDWARE	TYPE 4	STAINLESS STEEL

REMARK:

Due to the development of the national and international specifications and of the technology, the above technical characteristics showed on this bulletin can be considered as binding on our confirmation only.