



**Installation:** Safe Area

**Insulation Class:** I



**REFERENCE STANDARDS**

**CEI/EN**

EXECUTION	INDUSTRIAL WEATHERPROOF
RULES OF COMPLIANCE	EN 60598-1 + A1; EN 60598-2-1
EC Type-Examination Certificate	-
PROTECTION DEGREE	IP66
AMBIENT TEMPERATURE	-20°C ÷ +60°C

**Mechanical characteristics**

Body	glass fibre reinforced polyester resin self-extinguishing acc. to UL94
Diffuser	U/V resistant polycarbonate - hinged to body
Safety closing	operated by hexagonal key
Gaskets	EPDM 60 rubber suitable for high temperatures and resistant to enviroments conditions
Internal reflector	white stove enamelled sheet aluminum
Cable entry	ISO-Metric complete with 2 PVC cable gland + 3 PVC stopping plug

**Electrical characteristics for fluorescent lamps**

Power supply	dual channel electronic ballast: - 110÷240Vac - 50/60 Hz (cos ρ ≥ 0,98) - 110÷240Vdc
Emergency unit	emergency unit with autonomy from 180 min. (inverter) 220÷240V 50/60Hz
Lampholders	bi-pin G13 cap
Terminals	suitable up to 4 sq/mm cables

**Electrical characteristics for LED strips lamp**

Power Supply	220÷240V 50/60Hz (cos ρ ≥ 0,98)
Internal Wiring	105° C resistant silicon rubber insulation cables
Terminals	suitable up to 4sq/mm cables through wiring terminal strip as standard
Emergency Unit	emergency unit composed of inverter charger and Ni-Cd battery pack 4A/h 6.0V autonomy 180min. LED power-on indicating lamp provided - (inverter) 220÷240V 50/60Hz

**On Request Accessories:**

- Pole mounting kit complete with stainless steel hardware
- Ceiling mounting kit complete with stainless steel hardware
- Pendant mounting kit complete with stainless steel hardware
- Wall/Structure mounting kit complete with stainless steel hardware
- Electronic ballast with voltage supply different than standard
- Ex-de safety switch
- Up to 4 cable entries



**Technical data**

CODE	LAMP	TEMPERATURE CLASS (GAS)	TEMPERATURE CLASS (DUSTS)	LAMPHOLDER	ENTRY	EMERGENCY UNIT	AUTONOMY	DETAIL
<b>FLUORESCENT LIGHTING FIXTURES FOR SINGLE AND TWIN LAMPS - POWER SUPPLY (110÷240Vac - 50/60 Hz) - (110÷240Vdc)</b>								
WFL-118	1 x 18W	-	-	G13	4 x M20	-	-	A
WFL-136	1 x 36W	-	-	G13	4 x M20	-	-	A
WFL-218	2 x 18W	-	-	G13	4 x M20	-	-	A
WFL-236	2 x 36W	-	-	G13	4 x M20	-	-	A

<b>EMERGENCY FLUORESCENT LIGHTING FIXTURES FOR SINGLE AND TWIN LAMPS - POWER SUPPLY (inverter) 220÷240V - 50/60Hz</b>								
WFLE-118	1 x 18W	-	-	G13	4 x M20	4,8V - 4Ah	180 min.	A
WFLE-136	1 x 36W	-	-	G13	4 x M20	4,8V - 4Ah	180 min.	A
WFLE-218	2 x 18W	-	-	G13	4 x M20	4,8V - 4Ah	180 min.	A
WFLE-236	2 x 36W	-	-	G13	4 x M20	4,8V - 4Ah	180 min.	A

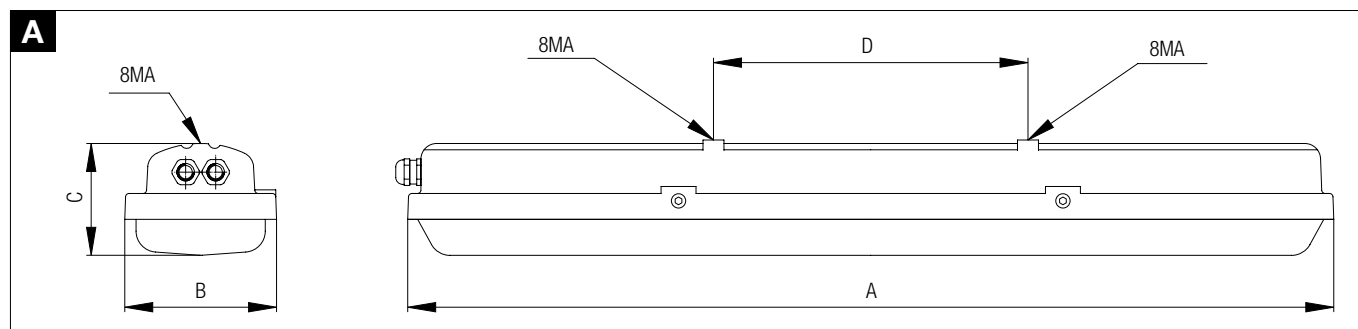
<b>LIGHTING FIXTURES FOR LED STRIPES LAMP ("TR" VERSION) - CCT: 5000K / CRI: 80 - POWER SUPPLY 220÷240Vac</b>						
CODE	LAMP	TEMPERATURE CLASS (GAS)	TEMPERATURE CLASS (DUSTS)	OUTPUT (lm)	EMERGENCY UNIT	DIMENSIONALLY EQUIVALENT TO
WFL-66LED	66 LED / 22W	-	-	3180	-	18W FLUO. L=730 mm
WFL-132LED	132 LED / 44W	-	-	6340	-	36W FLUO. L=1340 mm
WFLE-66LED	66 LED / 22W	-	-	3180	6.0 V - 4Ah AUTONOMY 180 min.	18W FLUO. L=730 mm
WFLE-132LED	132 LED / 44W	-	-	6340	6.0 V - 4Ah AUTONOMY 180 min.	36W FLUO. L=1340 mm

**Note:** LED stripes lamps included along with lighting fixtures  
EMERGENCY OPERATING WITH 66 LED UNITS ONLY AS STANDARD

**Technical features**

CODE	A [mm]	B [mm]	C [mm]	D [mm]	WIGHT [Kg]	CABLE ENTRY	DETAIL
WFL-118	730	215	160	400	6,00	4 x M20	A
WFL-136	1340	215	160	450	6,50	4 x M20	A
WFL-218 / WFL-66LED	730	215	160	400	7,00	4 x M20	A
WFL-236 / WFL-132LED	1340	215	160	450	7,50	4 x M20	A
WFLE-118	730	215	160	400	11,00	4 x M20	A
WFLE-136	1340	215	160	450	11,50	4 x M20	A
WFLE-218 / WFLE-66LED	730	215	160	400	12,00	4 x M20	A
WFLE-236 / WFLE-132LED	1340	215	160	450	12,50	4 x M20	A

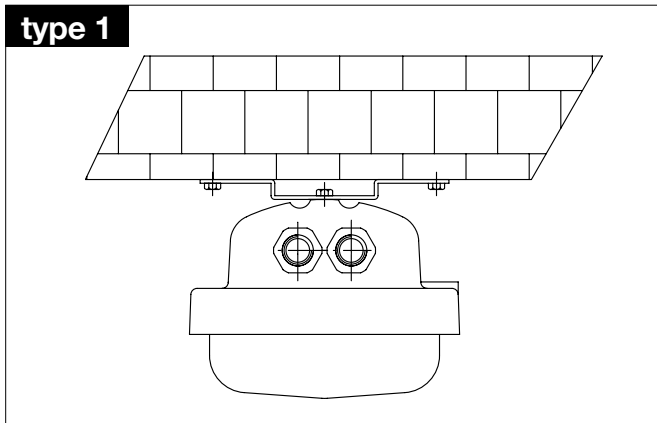
**Reference details**





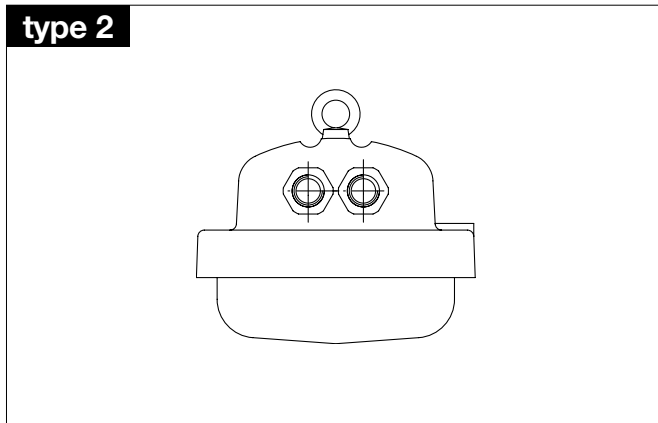
Ceiling mounting

type 1



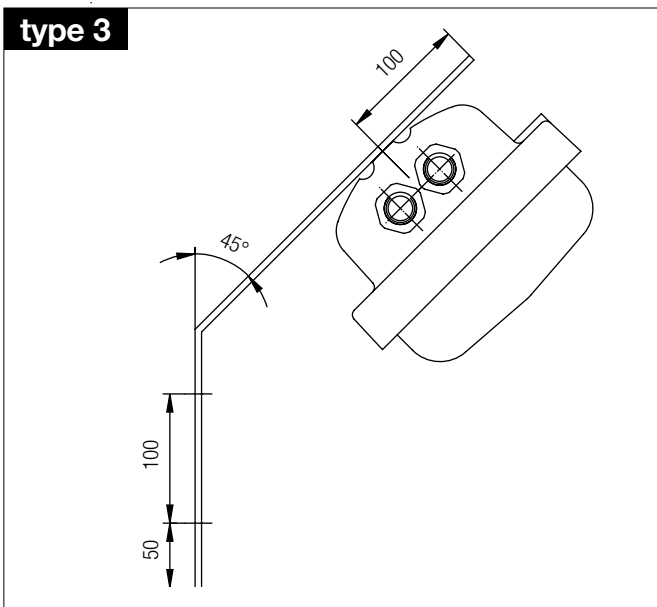
Pendant mounting

type 2



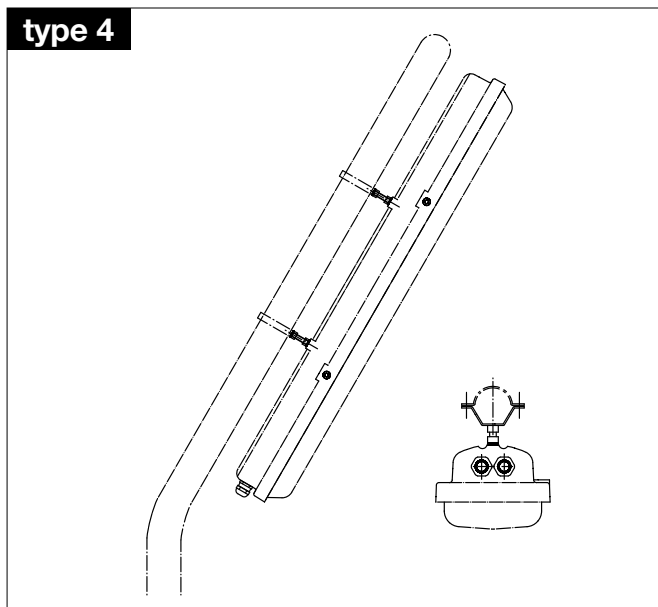
Wall/structure mounting

type 3



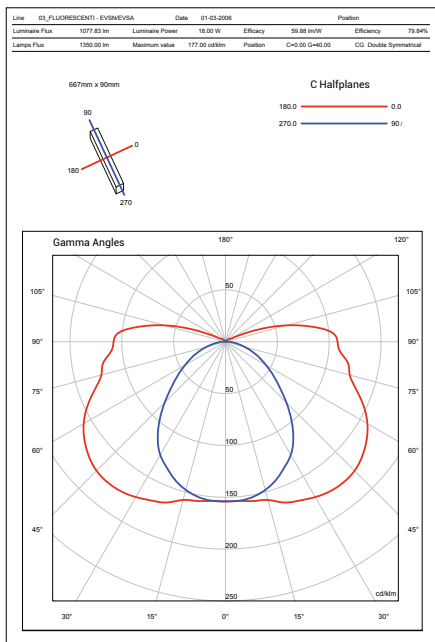
Pole mounting. Assembling detail with pole (typical)

type 4

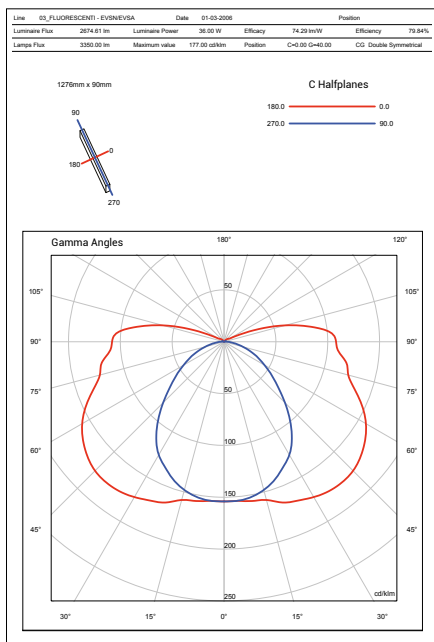


WFL Polar diagrams – photometric data

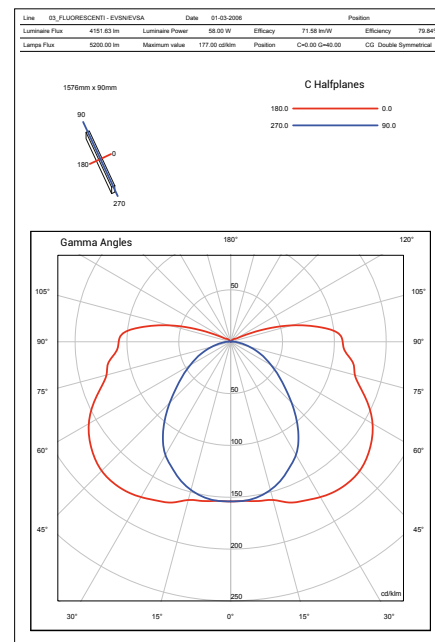
WFL-218



WFL-136



WFL-236



**On request accessories**

CODE	DESCRIPTION	INSTALLATION	MATERIAL
KITFL#01000	CEILING MOUNTING KIT C/W HARDWARE	TYPE 1	STAINLESS STEEL
KITAVFTYPE1	PENDANT MOUNTING KIT C/W HARDWARE AND EYE-BOLTS	TYPE 2	STAINLESS STEEL
KITAVFTYPE4	WALL/STRUCTURE MOUNTING KIT C/W HARDWARE	TYPE 3	GALVANIZED STEEL
KITAVFTYPE5	POLE MOUNTING KIT (SIZE 1 1/2" DIA.) C/W HARDWARE	TYPE 4	STAINLESS STEEL
KITAVFTYPE5	POLE MOUNTING KIT (SIZE 2" DIA.) C/W HARDWARE	TYPE 4	STAINLESS STEEL
KITAVFTYPE5	POLE MOUNTING KIT (SIZE 1" DIA.) C/W HARDWARE	TYPE 4	STAINLESS STEEL

## REMARK:

Due to the development of the national and international specifications and of the technology, the above technical characteristics showed on this bulletin can be considered as binding on our confirmation only.