



**Installation:** hazardous areas - Zone 1 / 2 (Gases) - Zone 21 / 22 (Dusts)  
**Classification:** Group II - Category 2G 2D



**REFERENCE STANDARDS**

**Directive 2014/34/EU**

|                                 |                                                                                                                                 |
|---------------------------------|---------------------------------------------------------------------------------------------------------------------------------|
| EXECUTION                       | ⊗ Ex II 2 G Ex db IIC T6...T4 Gb<br>⊗ Ex II 2 D Ex tb IIIC T85°C...T135°C Db                                                    |
| RULES OF COMPLIANCE             | EN/IEC 60079-0, EN/IEC 60079-1, EN/IEC 60079-31                                                                                 |
| EC Type-Examination Certificate | INERIS 18 ATEX 0016X                                                                                                            |
| PROTECTION DEGREE               | IP66                                                                                                                            |
| AMBIENT TEMPERATURE             | -60°C ÷ +60°C                                                                                                                   |
| OTHER AVAILABLE CERTIFICATES    | IECEX: IECEX INE 18.0010X<br>EAC: TC RU C-IT,BH02.B.00683/21 (-60°C ÷ +60°C)<br>RUSSIAN MARINE CERTIFICATE (RMRS): 19.02551.280 |

**Mechanical characteristics**

|        |                                                |
|--------|------------------------------------------------|
| Body   | marine grade copper free aluminium light alloy |
| Cover  | marine grade copper free aluminium light alloy |
| Screws | stainless steel                                |
| Pins   | brass                                          |



**On Request Accessories:**

- External epoxy painting with colour on request
- Cable entries with different threads from standards

Technical Features

| CODE            | A [mm] | TEMPERATURE CLASS (GAS) | TEMPERATURE CLASS (DUSTS) | WEIGHT [Kg] | DETAIL |
|-----------------|--------|-------------------------|---------------------------|-------------|--------|
| CPSCP*/CPH      | 243    | T6                      | T85°C                     | 1,50        | A      |
| FSQCP*/BP       | 255    | T6                      | T85°C                     | 2,00        | B      |
| FSQCP125*/BP125 | 310    | T6                      | T85°C                     | 5,00        | C      |

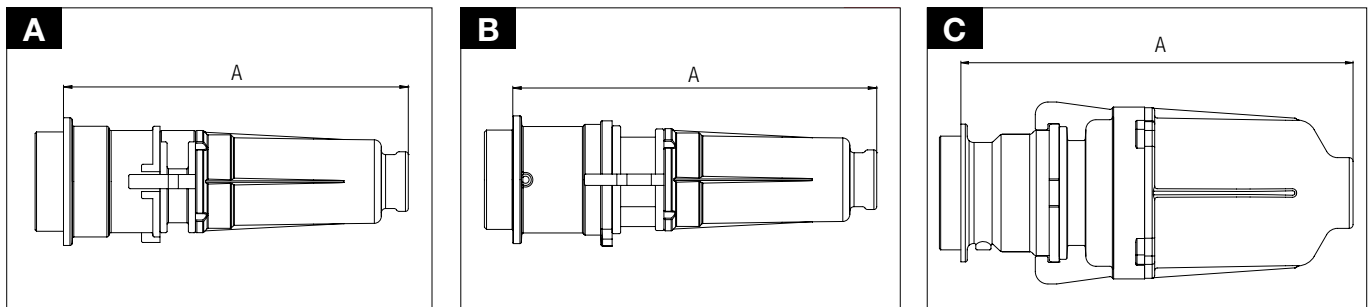
\*WITHOUT ENCLOSURE (TO BE ORDERED SEPARATELY)

| INTERLOCKED SOCKETS |             |                   |  |         |
|---------------------|-------------|-------------------|--|---------|
| SOCKET CODE         | POLES       | VOLTAGE (50/60Hz) |  | CURRENT |
| CPSCP224            | 2P+T (PE)   | 24V               |  | 16A     |
| CPSCP224-25A        | 2P+T (PE)   | 24V               |  | 25A     |
| CPSCP248            | 2P+T (PE)   | 48V               |  | 16A     |
| CPSCP248-25A        | 2P+T (PE)   | 48V               |  | 25A     |
| CPSCP211            | 2P+T (PE)   | 110/130V          |  | 16A     |
| CPSCP211-25A        | 2P+T (PE)   | 110/130V          |  | 25A     |
| CPSCP222            | 2P+T (PE)   | 220/250V          |  | 16A     |
| CPSCP222-25A        | 2P+T (PE)   | 220/250V          |  | 25A     |
| CPSCP338            | 2P+T (PE)   | 380/500V          |  | 16A     |
| CPSCP338-25A        | 3P+T (PE)   | 380/500V          |  | 25A     |
| CPSCP438-25A        | 3P+N+T (PE) | 380/500V          |  | 25A     |

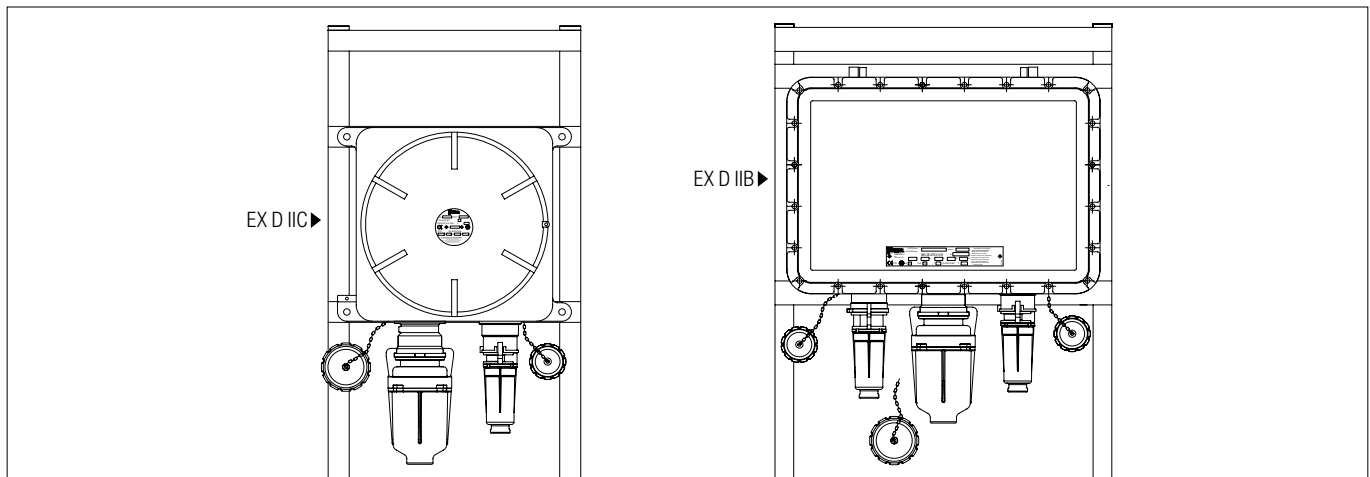
| INTERLOCKED SOCKETS WITH CIRCUIT BREAKER |           |                   |  |         |
|------------------------------------------|-----------|-------------------|--|---------|
| SOCKET CODE                              | POLES     | VOLTAGE (50/60Hz) |  | CURRENT |
| FSQCP235                                 | 2P+T (PE) | 220/250V          |  | 32A     |
| FSQCP335                                 | 3P+T (PE) | 380/415V          |  | 32A     |
| FSQCP435                                 | 4P+T (PE) | 380/500V          |  | 32A     |
| FSQCP260                                 | 2P+T (PE) | 220/250V          |  | 63A     |
| FSQCP360                                 | 3P+T (PE) | 380/500V          |  | 63A     |
| FSQCP460                                 | 4P+T (PE) | 380/500V          |  | 63A     |

| 125A INTERLOCKED SOCKETS AND PLUGS |           |           |                   |         |
|------------------------------------|-----------|-----------|-------------------|---------|
| SOCKET CODE                        | PLUG CODE | POLES     | VOLTAGE (50/60Hz) | CURRENT |
| FSQCP125-3                         | BP125-3   | 3P+T (PE) | 380/500V          | 125A    |
| FSQCP125-4                         | BP125-4   | 4P+T (PE) | 380/500V          | 125A    |

NOTE: Please refer to cpsc/fsqc bulletin for industrial application sockets and plugs colour marking



Typical assembling



REMARK:

Due to the development of the national and international specifications and of the technology, the above technical characteristics showed on this bulletin can be considered as binding on our confirmation only.

