



Installation: hazardous areas - Zone 1 / 2 (Gases) - Zone 21 / 22 (Dusts)
Classification: Group II - Category 2G 2D



REFERENCE STANDARDS

Directive 2014/34/EU

EXECUTION	⊕ II 2 G Ex d IIB T6/T5 Gb ⊕ II 2 D Ex tb IIIC T85°C/ T100°C Db
RULES OF COMPLIANCE	EN/IEC 60079-0; EN/IEC 60079-1; EN/IEC 60079-31
EC Type-Examination Certificate	INERIS 03 ATEX 0049X
PROTECTION DEGREE	IP66
AMBIENT TEMPERATURE	-60°C ÷ +60°C
OTHER AVAILABLE CERTIFICATES	IECEX: IECEX INE 11.0024X INMETRO: CEPTEL 12.2252X EAC: TC RU C-IT.BH02.B.00683/21 RUSSIAN MARINE CERTIFICATE (RMRS): 19.02551.280

Mechanical characteristics

Body	marine grade copper free aluminium light alloy
Cover	marine grade copper free aluminium light alloy
Screws	stainless steel
Internal plate	galvanized steel



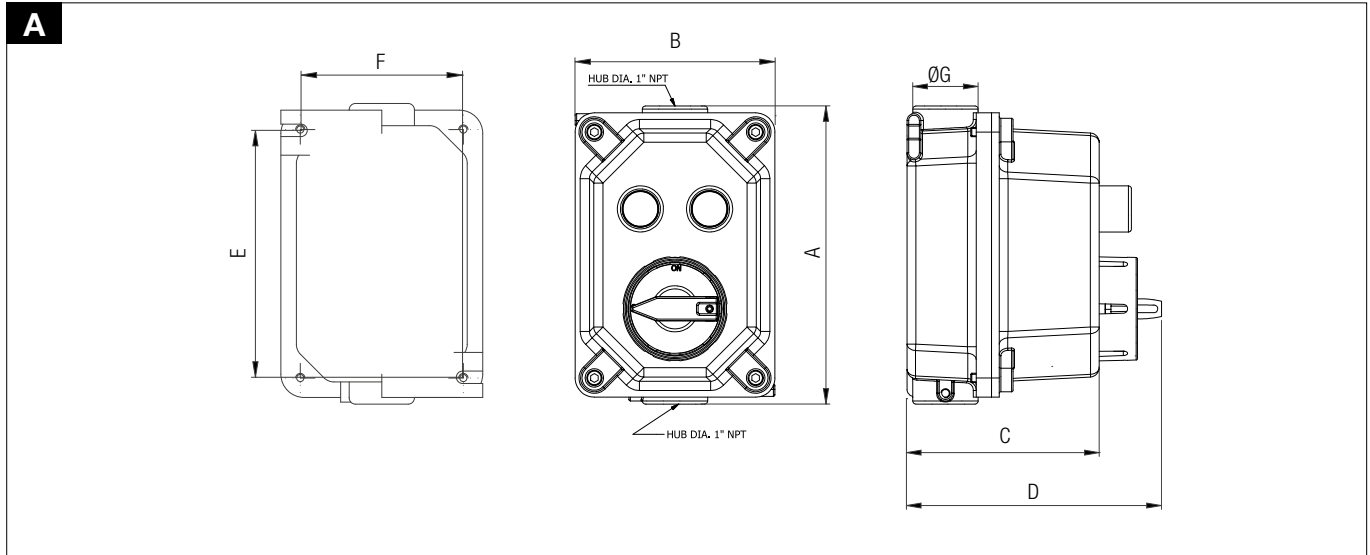
On Request Accessories:

- External epoxy painting with colour on request
- Cable entries with different threads from standards

Technical Features

CODE	A [mm]	B [mm]	C [mm]	D [mm]	E [mm]	F [mm]	Ø G [mm]	PLATE X - Y [mm]	WEIGHT [Kg]	DETAIL
EFG6	195	130	125	175	160	104	GK 1"	150 - 95	3,5	A

Reference details



Max. operators allowed diagrams

EFG6

DIAGRAM "A" DIAGRAM "A1" DIAGRAM "B" DIAGRAM "B1" DIAGRAM "C"

LEGEND:

- ① EFP PUSH BUTTON
- ② EFL PILOT LIGHT
- ③ EFI HANDLE SWITCH

MORE OPERATORS DETAILS ARE AVAILABLE ON "HANDLES-D" BULLETIN

REMARK - (A) TWIN HOLES 1-2 TYPE, CAN BE REPLACED BY ONE HOLE 3 TYPE

REMARK:

Due to the development of the national and international specifications and of the technology, the above technical characteristics showed on this bulletin can be considered as binding on our confirmation only.