



Installation: hazardous areas - Zone 1 / 2 (Gases) - Zone 21 / 22 (Dusts)
Classification: Group II - Category 2G 2D



REFERENCE STANDARDS

Directive 2014/34/EU

EXECUTION	<ul style="list-style-type: none"> ⊗ II 2 G Ex d IIB T6/T5 Gb ⊗ II 2 D Ex tb IIIC T85°C/T100°C Db
RULES OF COMPLIANCE	EN/IEC 60079-0; EN/IEC 60079-1; EN/IEC 60079-31
EC Type-Examination Certificate	INERIS 03 ATEX 0049X
PROTECTION DEGREE	IP66
AMBIENT TEMPERATURE	-60°C ÷ +60°C
OTHER AVAILABLE CERTIFICATES	IECEx: IECEx INE 11.0024X INMETRO: CEPEL 12.2252X EAC: TC RU C-IT.BH02.B.00683/21 RUSSIAN MARINE CERTIFICATE (RMRS): 19.02551.280

Mechanical characteristics

Body	marine grade copper free aluminium light alloy
Cover	marine grade copper free aluminium light alloy
Screws	stainless steel
Internal plate	galvanized steel



On Request Accessories:

- External epoxy painting with colour on request
- Cable entries with different threads from standards

Technical Features

CODE	A [mm]	B [mm]	C [mm]	D [mm]	E [mm]	ØF [mm]	TEMPERATURE CLASS (GAS)	TEMPERATURE CLASS (DUSTS)	WEIGHT [Kg]	DETAIL
EFSC218 M310 EFSC218M310L	195	185	130	118	145	GK 1"	T4 T5	T100°C T125°C	3,45	A
EFSC218 3I3V25 EFSC2183I3V26	195	185	130	118	145	GK 1"	T4 T5	T100°C T125°C	3,10	B
EFSC218 GUSC...	195	185	130	118	155	GK 1"	T4 T5	T100°C T125°C	3,10	C
EFSC218 GUSV...	195	185	130	118	145	GK 1"	T4 T5	T100°C T125°C	3,20	D
EFSC218 SMT...	195	185	130	118	130	GK 1"	T4 T5	T100°C T125°C	2,90	E

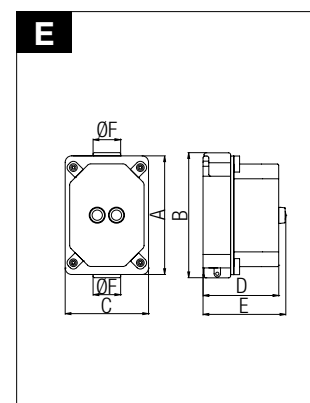
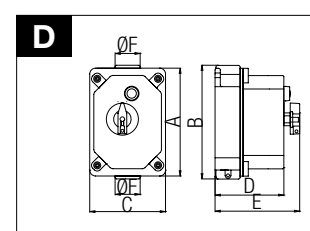
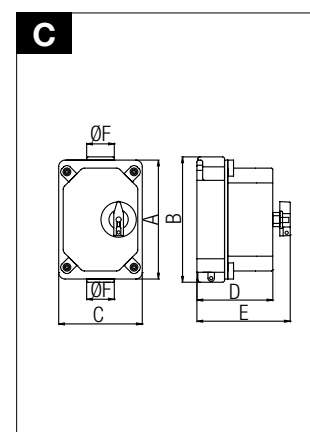
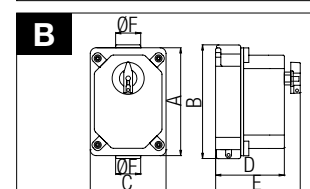
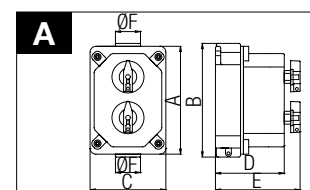
SELECTOR SWITCHES 500V 50-60Hz				
CODE	SELECTOR SWITCHES Q.TY		RATE [In]	DETAIL
	PADLOCK HANDLE	NORMAL HANDLE		
EFSC218M310	-	2	10A	A
EFSC218M310L	1	1	10A	A

THREE POLES FUSE SWITCH 500V 50-60Hz				
CODE	THREE POLE SWITCH	E16 DELAYED FUSE Q.TY	RATE [In]	DETAIL
EFSC2183I3V16	1	3	16A	B
EFSC2183I3V25	1	3	25A	B

CIRCUIT BREAKERS CURVE "C" 415V 50-60Hz 6kA				
CODE TWO POLES	CODE THREE POLES	CODE FOUR POLES	RATE [In]	DETAIL
EFSC218GUSC3206	EFSC218GUSC3306	EFSC218GUSC3406	6A	C
EFSC218GUSC3210	EFSC218GUSC3310	EFSC218GUSC3410	10A	C
EFSC218GUSC3216	EFSC218GUSC3316	EFSC218GUSC3416	16A	C
EFSC218GUSC3220	EFSC218GUSC3320	EFSC218GUSC3420	20A	C
EFSC218GUSC3225	EFSC218GUSC3325	EFSC218GUSC3425	25A	C
EFSC218GUSC3232	EFSC218GUSC3332	EFSC218GUSC3432	32A	C
EFSC218GUSC3240	EFSC218GUSC3340	EFSC218GUSC3440	40A	C
EFSC218GUSC3250	EFSC218GUSC3350	EFSC218GUSC3450	50A	C
EFSC218GUSC3263	EFSC218GUSC3363	EFSC218GUSC3463	63A	C

EARTH LEAKAGE CIRCUIT BREAKERS 400/230V 50-60Hz 300mA 1PH+N - 3PH+N			
CODE TWO POLES	CODE FOUR POLES	RATE [In]	DETAIL
EFSC218GUSV3225	EFSC218GUSV3425	25A	D
EFSC218GUSV3240	EFSC218GUSV3440	40A	D
-	EFSC218GUSV3463	63A	D

THERMAL MAGNETIC MOTOR PROTECTION THREE POLES 660V 50-60Hz		
CODE	RANGE	DETAIL
EFSC218SMT034	0,20 - 0,35A	E
EFSC218SMT036	0,35 - 0,60A	E
EFSC218SMT301	0,60 - 1,00A	E
EFSC218SMT302	1,00 - 1,60A	E
EFSC218SMT303	1,60 - 2,50A	E
EFSC218SMT304	2,50 - 4,00A	E
EFSC218SMT306	4,00 - 6,60A	E
EFSC218SMT310	6,00 - 10,00A	E
EFSC218SMT316	10,00 - 16,00A	E



REMARK:

Due to the development of the national and international specifications and of the technology, the above technical characteristics showed on this bulletin can be considered as binding on our confirmation only.