



Installation: hazardous areas - Zone 1 / 2 (Gases) - Zone 21 / 22 (Dusts)
Classification: Group II - Category 2G 2D



REFERENCE STANDARDS

Directive 2014/34/EU

EXECUTION	⊕ II 2 G Ex d IIC T6 Gb ⊕ II 2 D Ex tb IIIC T85°C Db
RULES OF COMPLIANCE	EN/IEC 60079-0; EN/IEC 60079-1; EN/IEC 60079-31
EC Type-Examination Certificate	INERIS 02 ATEX 0090X
PROTECTION DEGREE	IP66
AMBIENT TEMPERATURE	-60°C ÷ +60°C
OTHER AVAILABLE CERTIFICATES	IECEx: IECEx INE 14.0013X EAC: TC RU C-IT.BH02.B.00676/20 (-60°C ÷ +60°C) RUSSIAN MARINE CERTIFICATE (RMRS): 19.02549.280

Mechanical characteristics

Body	marine grade copper free aluminum
Cover	marine grade copper free aluminum
Round window	thransparent tempered glass
Gasket	NBR O-Ring sealing



On Request Accessories:

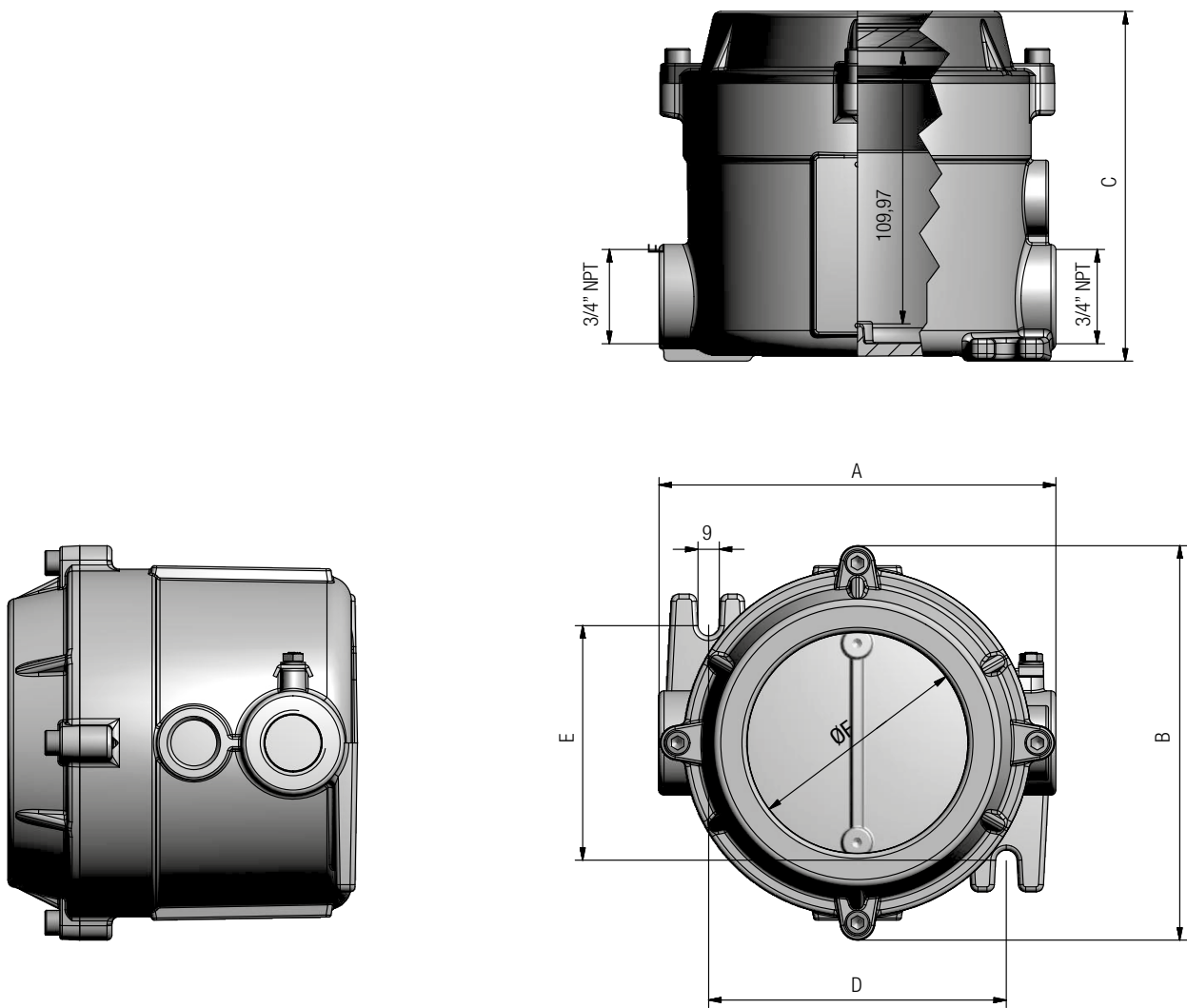
- External epoxy painting with colour on request
- Internal anticondensate painting
- AISI 316L stainless steel drain breather valve

Technical Features

CODE	A [mm]	B [mm]	C [mm]	D [mm]	E [mm]	F [mm]	G [mm]	ØH [mm]	WEIGHT [Kg]	THREADED ENTRY	DRAIN VALVE	DETAIL
EMH92	160	159	141	120	95	89	110	8	1,50	1 x 3/4"	NO	A
EMH922	160	159	141	120	95	89	110	8	1,50	2 x 3/4"	NO	A
EMH92V	160	159	141	120	95	89	110	8	1,50	1 x 3/4"	YES	A
EMH922V	160	159	141	120	95	89	110	8	1,50	2 x 3/4"	YES	A

Reference details

A



REMARK:

Due to the development of the national and international specifications and of the technology, the above technical characteristics showed on this bulletin can be considered as binding on our confirmation only.