



**Installation:** Safe Area

**Classification:** I



**LIGHTING FIXTURES**

**CEI / EN**

EXECUTION	INDUSTRIAL WEATHERPROOF
RULES OF COMPLIANCE	EN 60598-1 + A1; EN 60598-2-5
EC Type-Examination Certificate	-
PROTECTION DEGREE	IP65
AMBIENT TEMPERATURE	-

**Mechanical characteristics**

Housing	die-casting aluminium complete with stainless steel safety chains
Diffuser	plane tempered glass resistant to shocks and thermal shocks, coupled with stainless steel clips and secured with a security chain
Painting	thermosetting polyester powder resistant to atmospheric agents and corrosion
Reflector	anodized and polished 99,85 pure aluminum
Cable entry	cable gland M20 IP68 tear proof

**Electrical characteristics**

Power supply	conventional ballast 230V - 50Hz p.f. corrected (cos ρ ≥ 0,95)
Lampholders	ceramic E27 / E40
Internal wiring	1,5sq/mm silicon cables with glass sheath



**On Request Accessories:**

- Galvanized steel wire protection guard
- Electronic device for aux halogen lamp
- Control gear with voltage supply different than standard

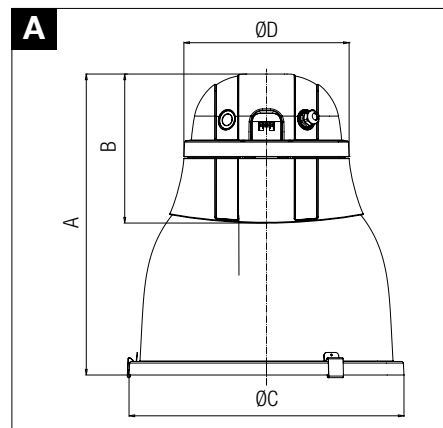
Technical data

CODE	LAMP TYPE	TEMPERATURE CLASS (GAS)	TEMPERATURE CLASS (DUSTS)	LAMPHOLDER	CABLE GLAND	DETAIL
<b>INDUSTRIAL REFLECTORS FOR MERCURY VAPOUR LAMPS - POWER SUPPLY 230V-50Hz</b>						
KRONOS-SAT125HG	125 W	-	-	E-27	M20	A
KRONOS-SAT250HG	250 W	-	-	E-40	M20	A
KRONOS-SAT400HG	400 W	-	-	E-40	M20	A
<b>INDUSTRIAL REFLECTORS FOR METAL HALIDE LAMPS - POWER SUPPLY 230V-50Hz</b>						
KRONOS-SAT150MH	150 W	-	-	E-27	M20	A
KRONOS-SAT250MH	250 W	-	-	E-40	M20	A
KRONOS-SAT400MH	400 W	-	-	E-40	M20	A
<b>INDUSTRIAL REFLECTORS FOR HIGH PRESSURE SODIUM LAMPS - POWER SUPPLY 230V-50Hz</b>						
KRONOS-SAT150NA	150 W	-	-	E-40	M20	A
KRONOS-SAT250NA	250 W	-	-	E-40	M20	A
KRONOS-SAT400NA	400 W	-	-	E-40	M20	A

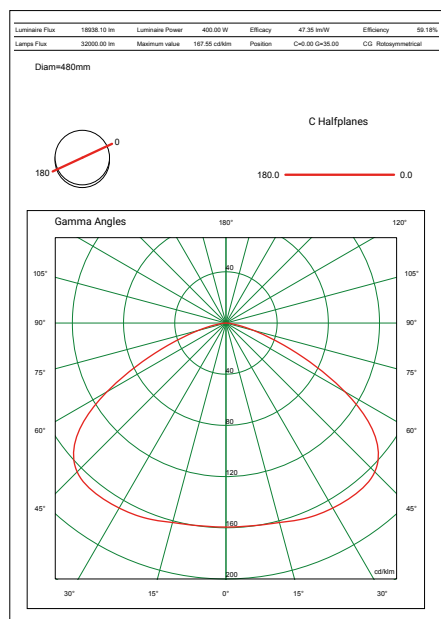
Technical features

CODE	A [mm]	B [mm]	Ø C [mm]	Ø D [mm]	WEIGHT[Kg]	CABLE GLAND	DETAIL
KRONOS-SAT125HG	535	265	550	295	4,62	M20	A
KRONOS-SAT250HG	535	265	550	295	5,03	M20	A
KRONOS-SAT400HG	535	265	550	295	6,35	M20	A
KRONOS-SAT150MH	535	265	550	295	5,22	M20	A
KRONOS-SAT250MH	535	265	550	295	5,17	M20	A
KRONOS-SAT400MH	535	265	550	295	6,50	M20	A
KRONOS-SAT150NA	535	265	550	295	5,22	M20	A
KRONOS-SAT250NA	535	265	550	295	6,57	M20	A
KRONOS-SAT400NA	535	265	550	295	7,76	M20	A

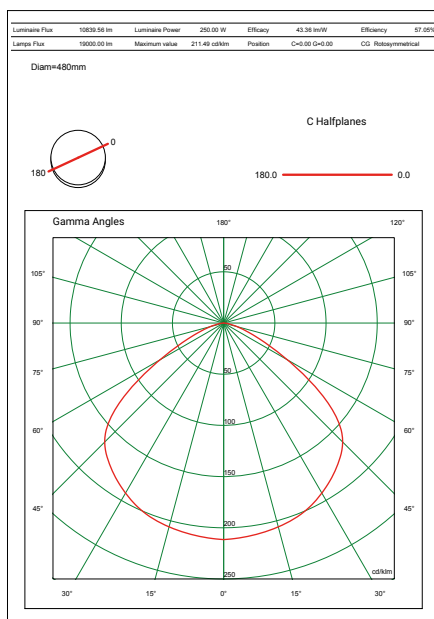
Reference details



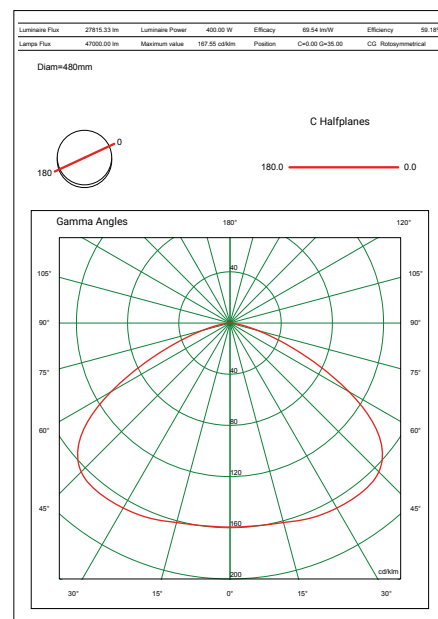
KRONOS-SAT400HG



KRONOS-SAT250NA



KRONOS-SAT400MH



On request accessories

CODE	DESCRIPTION	MATERIAL
930000.480	PROTECTION GRID Ø480	GALVANIZED STEEL
CLA	ELECTRONIC SWITCHING DEVICE FOR AUXILIARY LAMP	-

REMARK:

Due to the development of the national and international specifications and of the technology, the above technical characteristics showed on this bulletin can be considered as binding on our confirmation only.

