



**Technical data**

CODE	LAMP	TEMPERATURE CLASS (GAS)	TEMPERATURE CLASS (DUSTS)	LAMPHOLDER SIZE	CABLE ENTRY WITH CABLE GLAND	DETAIL
<b>FLOODLIGHT FOR HIGH PRESSURE MERCURY VAPOUR LAMP - POWER SUPPLY 230V 50Hz</b>						
SFNR-250QT*	250 W	T3 (Ta = -40°C / +45°C)	T 200°C	E-40	1 x ISO-M20	A
SFNR-400QT*	400 W	T2 (Ta = -40°C / +60°C)	T 300°C			

**Note:** available with symmetric optic only

<b>FLOODLIGHT FOR METAL HALIDE LAMP - POWER SUPPLY 230V 50Hz</b>						
SFNR-150MT*	150 W	T3 (Ta = -40°C / +60°C)	T 200°C	E-40	1 x ISO-M20	A
SFNRX-150MT	150 W					B
SFNR-250MT*	250 W	T3 (Ta = -40°C / +45°C) T2 (Ta = -40°C / +60°C)	T 200°C T 300°C			A
SFNRX-250MT	250 W					B
SFNR-400MT*	400 W					A
SFNRX-400MT	400 W					B

<b>FLOODLIGHT FOR HIGH PRESSURE SODIUM LAMP - POWER SUPPLY 230V-50Hz</b>						
SFNR-150ST*	150 W	T3 (Ta = -40°C / +60°C)	T 200°C	E-40	1 x ISO-M20	A
SFNRX-150ST	150 W					B
SFNR-250ST*	250 W	T3 (Ta = -40°C / +45°C) T2 (Ta = -40°C / +60°C)	T 200°C T 300°C			A
SFNRX-250ST	250 W					B
SFNR-400ST*	400 W					A
SFNRX-400ST	400 W					B

(\* ) INTERNAL OPTICAL BEAM: (SM) SYMMETRIC BEAM - (AS) ASYMMETRIC BEAM - (CT) CONCENTRATING BEAM

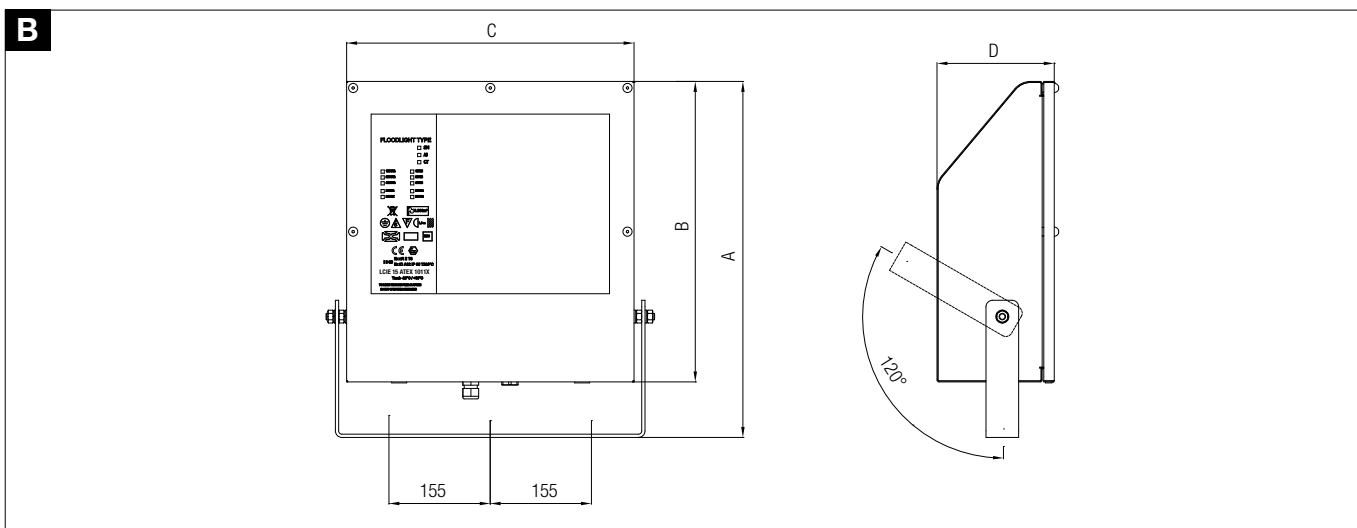
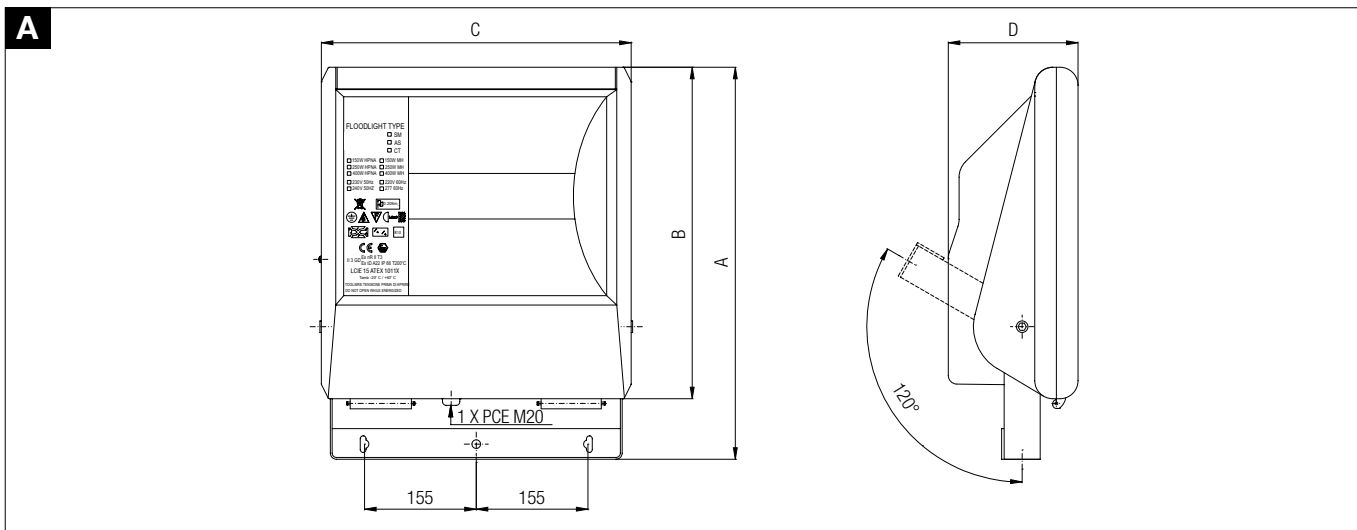
**SAMPLE:** SFNR#400MH-SM= 400W METAL HALIDE FLOODLIGHT WITH SYMMETRIC OPTICAL BEAM

**Technical features**

CODE	A [mm]	B [mm]	C [mm]	D [mm]	WEIGHT [Kg]	CABLE ENTRY	DETAIL
SFNR-250QT	544	461	430	180	8,80	1 x ISO-M20	A
SFNR-400QT	544	461	430	180	9,10	1 x ISO-M20	A
SFNR-150MT	544	461	430	180	9,50	1 x ISO-M20	A
SFNRX-150MT	545	460	440	180	9,50	1 x ISO-M20	B
SFNR-250MT	544	461	430	180	9,70	1 x ISO-M20	A
SFNRX-250MT	545	460	440	180	9,70	1 x ISO-M20	B
SFNR-400MT	544	461	430	180	11,00	1 x ISO-M20	A
SFNRX-400MT	545	460	440	180	11,00	1 x ISO-M20	B
SFNR-150ST	544	461	430	180	10,50	1 x ISO-M20	A
SFNRX-150ST	545	460	440	180	10,50	1 x ISO-M20	B
SFNR-250ST	544	461	430	180	11,10	1 x ISO-M20	A
SFNRX-250ST	545	460	440	180	11,10	1 x ISO-M20	B
SFNR-400ST	544	461	430	180	12,30	1 x ISO-M20	A
SFNRX-400ST	545	460	440	180	12,30	1 x ISO-M20	B

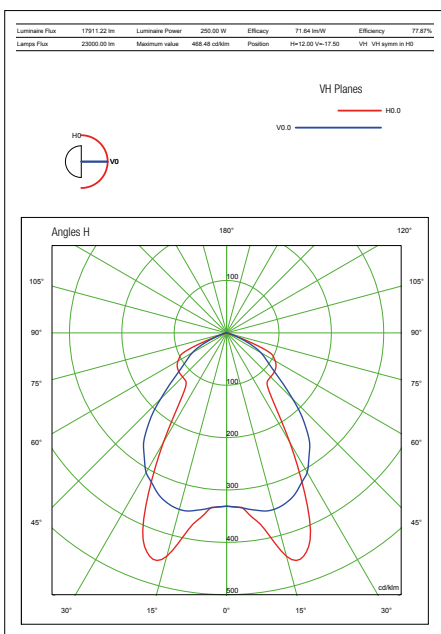


Reference details

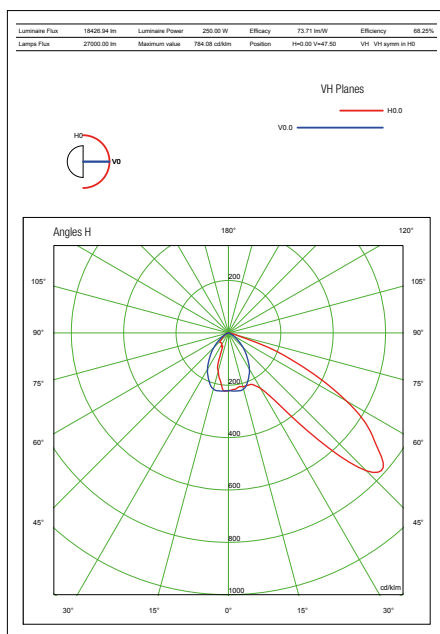


SFNR-SFNRX Polar diagrams – photometric data

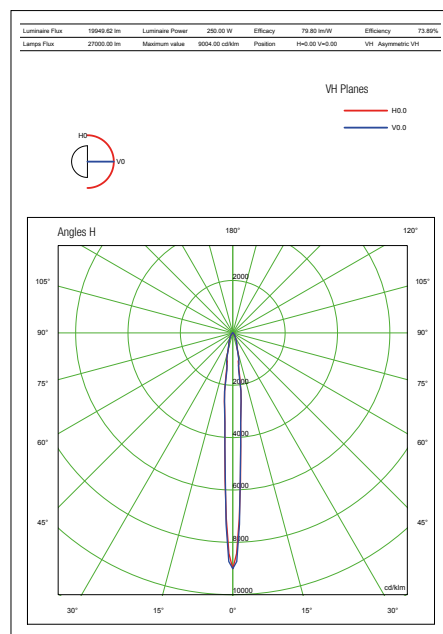
SFNR-250ST-SM



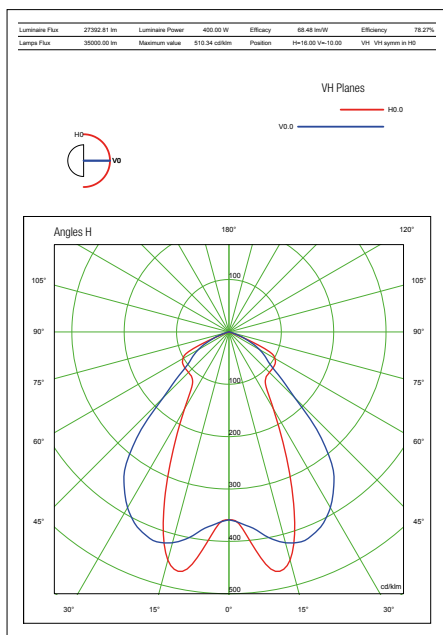
SFNR-250ST-AS



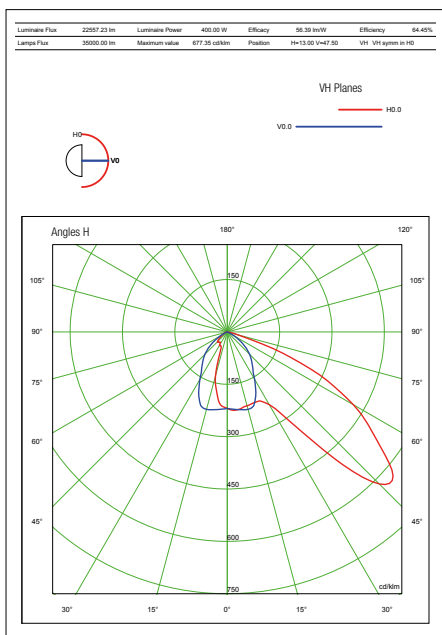
SFNR-250ST-C



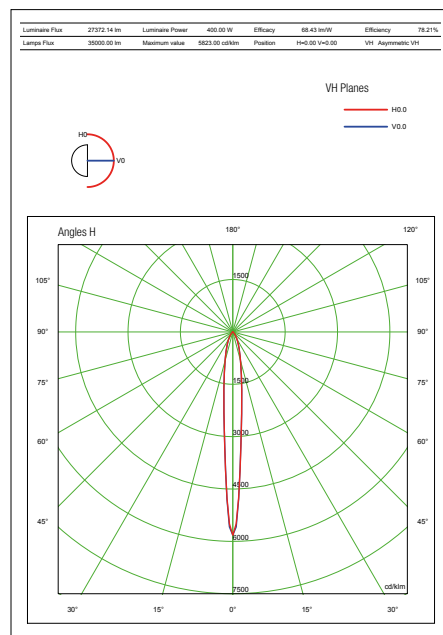
**SFNR-400MT-SM**



**SFNR-400MT-AS**



**SFNR-400MT-CT**

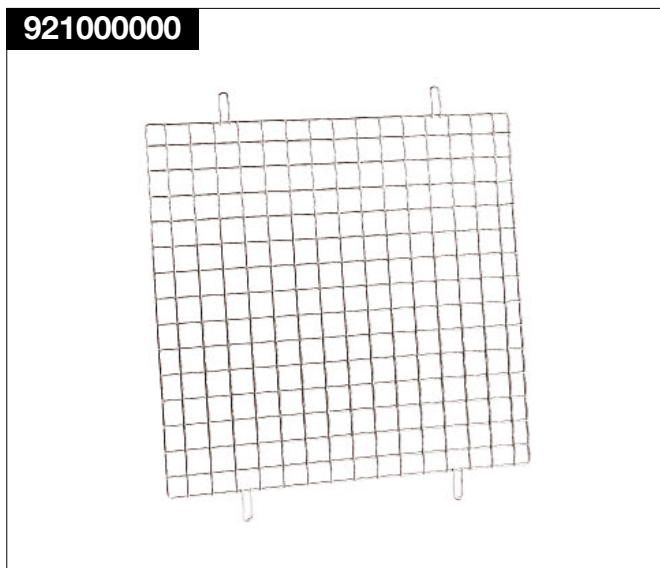


**On request accessories**

CODE	DESCRIPTION	MATERIAL
921000000	PROTECTION GRID	ALUMINIUM
921003004	POLE ADAPTER FOR DIA 40÷60MM	PAINTED STEEL

**Protection grid**

**921000000**



**Pole adapter**

**921003004**



**REMARK:**

Due to the development of the national and international specifications and of the technology, the above technical characteristics showed on this bulletin can be considered as binding on our confirmation only.