



Installation: Safe Area

Insulation Class: I



REFERENCE STANDARDS

CEI / EN

EXECUTION	INDUSTRIAL WEATHERPROOF
RULES OF COMPLIANCE	EN 60598-1 + A1; EN 60598-2-1
EC Type-Examination Certificate	-
PROTECTION DEGREE	IP66 (in accordance to IEC 60529)
AMBIENT TEMPERATURE	-

Mechanical characteristics

Body	marine grade copper free aluminium
Diffuser	tempered front glass 4mm
Support	adjustable type 3mm thick shaped steel
Painting	external thermosetting polyester powder RAL-7039 colour
Screws	external stainless steel
Gaskets	silicon rubber
Cable entry	Dia. 20.5mm

Electrical characteristics

Power supply	220-240Vac electronic driver 50/60 Hz - C/W surge protection 6/8-10KV and NTC thermal sensor
Lamp type	Samsung LH 181B - CRI>80 CCT 4000K Lifetime: 80.000 hours L80 B10 @ta 25, 50.000 hours L80 B20 @tamax
Internal wiring	high-temperature resistant silicon rubber insulation cables
Terminals	suitable up to 4 sq/mm cables
Optic	SM = without lens, maximum efficiency AS = with asymmetrical lens with vertex at 50deg



On Request Accessories:

- External painting colour on request
- DALI dimmable driver and output reduction Vmidnight system
- CCT 2200/3000/5700 K
- Customized LED current drivers
- Additional optics

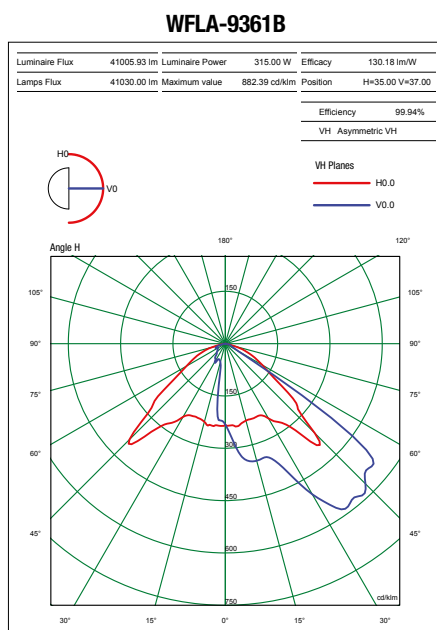
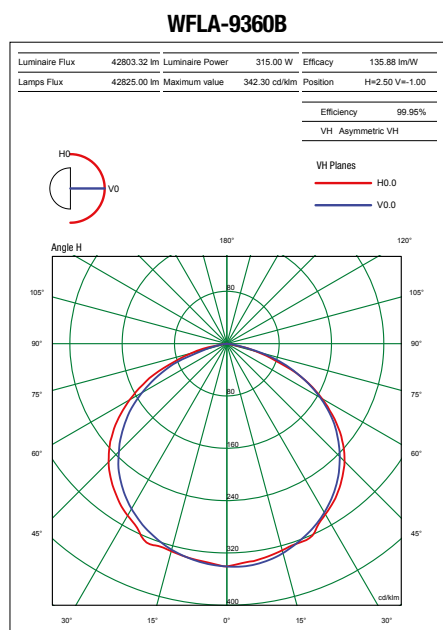
CODE	POWER LAMP	WIRING	TEMPERATURE CLASS (GAS)	TEMPERATURE CLASS (DUSTS)	OUTPUT TYPICAL (lm)	OUTPUT NET (lm)	CABLE ENTRY SIZE	DETAIL
FLOODLIGHTS FOR LED LAMP - POWER SUPPLY 220±240V 50/60Hz								
WFLA-4160B	140 W	64 LED			20800	19035	1 X ISO-M20	A
WFLA-4161B					26000	23790		
WFLA-5200B	175 W	80 LED			31200	28550	1 X ISO-M20	A
WFLA-5201B					36400	33310		
WFLA-6240B	210 W	96 LED			41600	38070	1 X ISO-M20	A
WFLA-6241B					46800	42825		
WFLA-7280B	245 W	112 LED					1 X ISO-M20	A
WFLA-7281B								
WFLA-8320B	280 W	128 LED					1 X ISO-M20	A
WFLA-8321B								
WFLA-9360B	315 W	144 LED					1 X ISO-M20	A
WFLA-9361B								

OPTIC BEAM: 0B=SM - WITHOUT LENS / 1B=AS - ASYMMETRICAL LENS

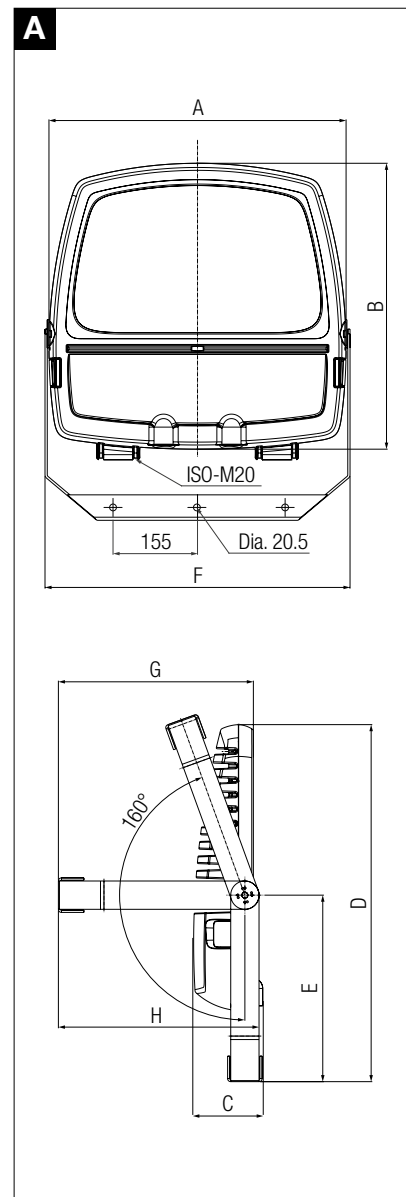
Technical features

CODE	A [mm]	B [mm]	C [mm]	D [mm]	E [mm]	F [mm]	G [mm]	H [mm]	WEIGHT [Kg]	CABLE ENTRY	DETAIL
WFLA-4160B	525	505	122	630,60	329	539	344	354	20,02	1 X ISO-M20	A
WFLA-4161B	525	505	122	630,60	329	539	344	354	20,07	1 X ISO-M20	A
WFLA-5200B	525	505	122	630,60	329	539	344	354	20,46	1 X ISO-M20	A
WFLA-5201B	525	505	122	630,60	329	539	344	354	20,52	1 X ISO-M20	A
WFLA-6240B	525	505	122	630,60	329	539	344	354	20,73	1 X ISO-M20	A
WFLA-6241B	525	505	122	630,60	329	539	344	354	20,80	1 X ISO-M20	A
WFLA-7280B	525	505	122	630,60	329	539	344	354	20,93	1 X ISO-M20	A
WFLA-7281B	525	505	122	630,60	329	539	344	354	21,01	1 X ISO-M20	A
WFLA-8320B	525	505	122	630,60	329	539	344	354	20,96	1 X ISO-M20	A
WFLA-8321B	525	505	122	630,60	329	539	344	354	21,05	1 X ISO-M20	A
WFLA-9360B	525	505	122	630,60	329	539	344	354	21,06	1 X ISO-M20	A
WFLA-9361B	525	505	122	630,60	329	539	344	354	21,22	1 X ISO-M20	A

WFLA LED Polar diagrams - photometric data



Reference details



REMARK:

Due to the development of the national and international specifications and of the technology, the above technical characteristics showed on this bulletin can be considered as binding on our confirmation only.

