



Installation: hazardous areas - Zone 1 / 2 (Gases) - Zone 21 / 22 (Dusts)

Classification: Group II - Category 2G 2D



REFERENCE STANDARDS

Directive 2014/34/EU	
EXECUTION	⊗ II 2 G Ex d IIC T6/T4 Gb ⊗ II 2 D Ex tb IIIC T185°C/T135°C Db
RULES OF COMPLIANCE	EN/IEC 60079-0; EN/IEC 60079-1; EN/IEC 60079-31;
EC Type-Examination Certificate	INERIS 01 ATEX 0056X
PROTECTION DEGREE	IP66
AMBIENT TEMPERATURE	-60°C ÷ +60°C
OTHER AVAILABLE CERTIFICATES	IECEX: IECEX INE 13.0074X INMETRO: CEPPEL 14.1023X EAC: TC RU C-IT.BH02.B.00254/19 RINA: ELE18111CS_006 RUSSIAN MARINE CERTIFICATE (RMRS): 19.02547.280

Mechanical characteristics

Body	marine grade copper free aluminium
Globe	high-temperature resistant borosilicate glass
Fresnel len	shock proof acrylic material suitable for high temperatures
Painting	external epoxy powders grey RAL-9006 colour
Screws	external stainless steel
Gaskets	silicon rubber

Electrical characteristics

Lampholders	porcelain E27 size
internal wiring	high-temperature resistant silicon rubber insulation cables
terminals	suitable up to 4mm/sq cables
medium intensity	flashing obstruction light 1450 / 2000 cd intensity (over than 45mt distance)
low intensity	steady obstruction light 30 cd intensity (less than 45mt distance)
construction	single awl - twin awl (1 main + 1 spare) in according to ICAO directive



On Request Accessories:

- Galvanized steel wire protection guard
- Stainless steel wire protection guard
- Aircraft Warning Lights and control panel support manufactured in according to customer specification
- External painting colour on request
- Threaded cable entry different than standard
- Xenoflash 6J lamp
- Electronic with voltage supply different than standard

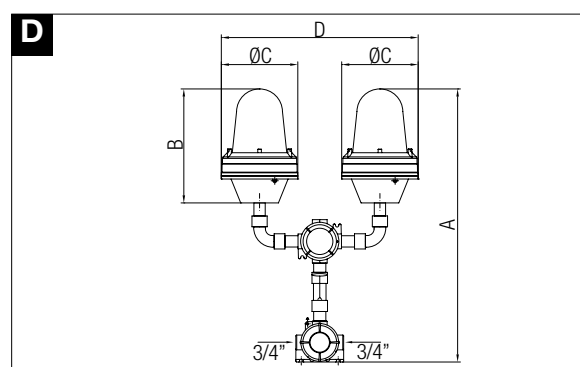
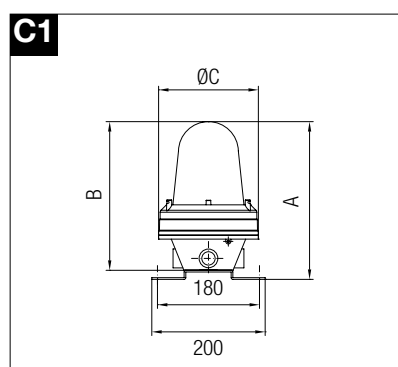
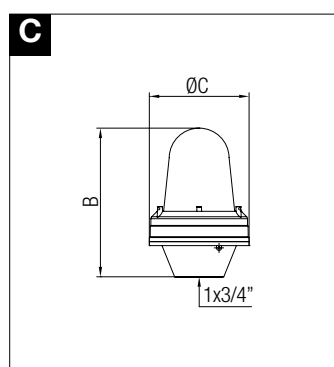
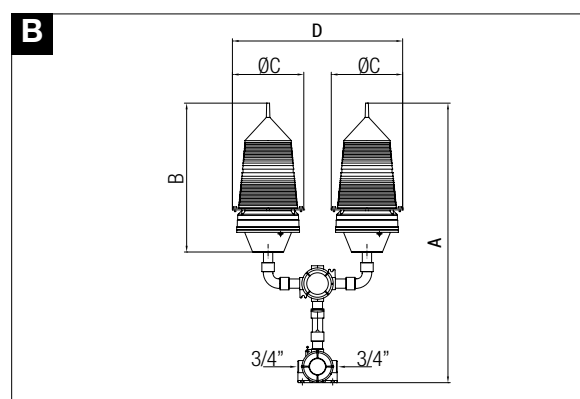
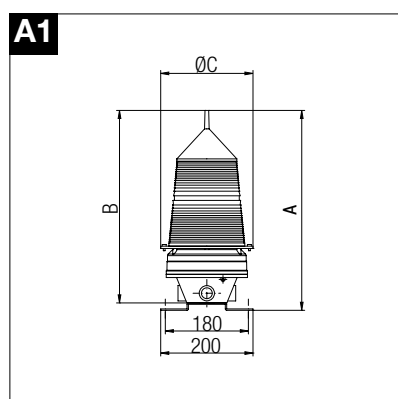
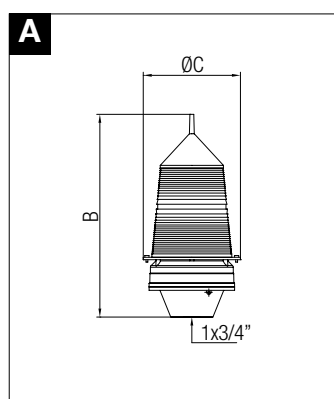
Technical data

CODE	LAMP TYPE	TEMPERATURE CLASS (GAS)	TEMPERATURE CLASS (DUSTS)	FLASHING [x/min.]	LAMPHOLDER	CABLE ENTRY SIZE	DETAIL
WL201-F	100W INCANDESCENT*	T4	T 135°C	-	E-27	1 x 3/4"	A
WL200-F	100W INCANDESCENT*	T4	T 135°C	-	E-27	2 x 3/4"	A-1
WL201-XF	2J XENOFASH	T6	T 85°C	65 ±10	E-27	1 x 3/4"	C
WL200-XF	2J XENOFASH	T6	T 85°C	65 ±10	E-27	2 x 3/4"	C-1
WLS201-F/201F	2 x 100W INCANDESCENT*	T4	T 135°C	-	E-27	2 x 3/4"	B
WLS201-XF/201XF	2 x 2J XENOFASH	T6	T 85°C	65 ±10	E-27	2 x 3/4"	D
WL301-R	40W INCANDESCENT*	T4	T 135°C	-	E-27	1 x 3/4"	C
WL300-R	40W INCANDESCENT*	T4	T 135°C	-	E-27	2 x 3/4"	C-1

*lamp not included.

Technical features

CODE	A [mm]	B [mm]	Ø C [mm]	D [mm]	WEIGHT [kg]	CABLE ENTRY	DETAIL
WL201-F	-	415	200	-	4,50	1 x 3/4"	A
WL200-F	430	415	200	-	4,50	2 x 3/4"	A-1
WL201-XF	-	260	176	-	4,50	1 x 3/4"	C
WL200-XF	280	260	176	-	4,00	2 x 3/4"	C-1
WLS201-F/201F	790	415	200	475	9,00	2 x 3/4"	B
WLS201-XF/201XF	630	260	176	453	8,00	2 x 3/4"	D
WL301-R	345	322	197	-	7,00	1 x 3/4"	C
WL300-R	-	322	197	-	7,00	2 x 3/4"	C-1



On request accessories

CODE	DESCRIPTION	MATERIAL
G200G	EVAC 200 / 201 SIZE STANDARD PROTECTION GUARD	GALVANIZED STEEL
G300G	EVAC 300 / 301 SIZE STANDARD PROTECTION GUARD	GALVANIZED STEEL
G200X	EVAC 200 / 201 SIZE STAINLESS STEEL PROTECTION GUARD	STAINLESS STEEL
G300X	EVAC 300 / 301 SIZE STAINLESS STEEL PROTECTION GUARD	STAINLESS STEEL
KITEVACTYPE1	STRUCTURE MOUNTING KIT C/W HARDWARE	STAINLESS STEEL
CSRF	RED FRESNEL LEN Ø155mm CUPOLA EVOA 100	ACRYLIC
CSOF	ORANGE FRESNEL LEN Ø155mm CUPOLA EVOA 100	ACRYLIC
CSGF	GREEN FRESNEL LEN Ø155mm CUPOLA EVOA 100	ACRYLIC
CSWF	WHITE FRESNEL LEN Ø155mm CUPOLA EVOA 100	ACRYLIC